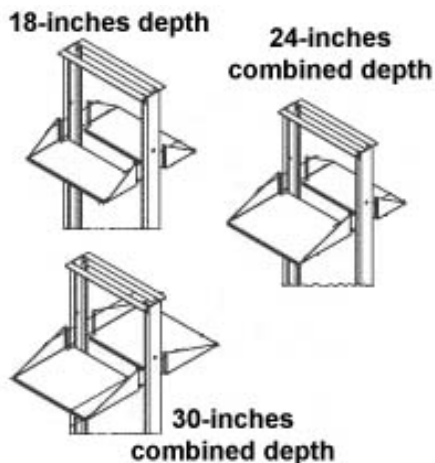
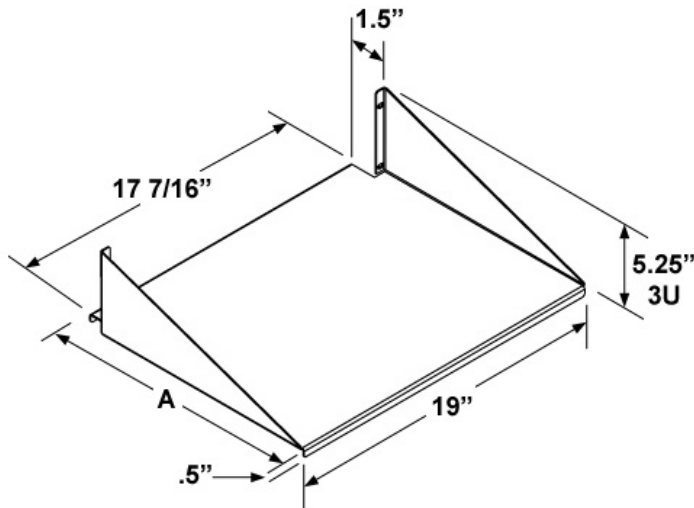


# Combo Shelf

## DOUBLE-SIDED HEAVY-DUTY SHELF



Depth "A"	Part #	Ship Weight Lbs.
9"	GLK-C1915	6
15"	GLK-C1909	9

### Construction

- 14 gauge steel construction
- Part # includes one-side shelf

### Combinations

Mounting the Combo shelf back-to-back on a Relay Rack creates a double-sided, heavy-duty mounting surface with the following depths:

- 18" deep – a combination of two 9" deep shelves
- 24" deep – a combination of one 9" deep shelf and one 15" deep shelf
- 30" deep – a combination of two 15" deep shelves

### Pattern

Solid

### Finish

Black powder coat

### Weight rating

75 lbs. (each side)