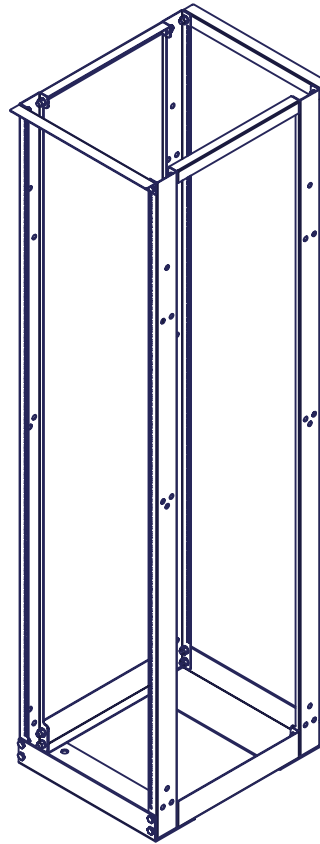
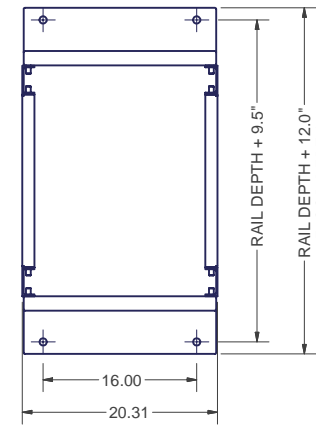


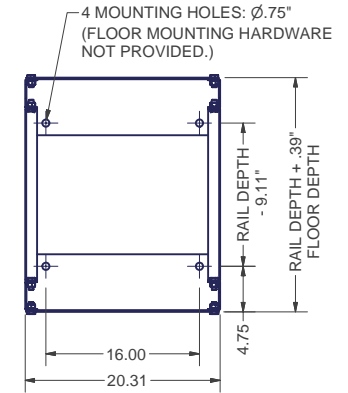
TOE OUT MOUNTING  
ISOMETRIC VIEW



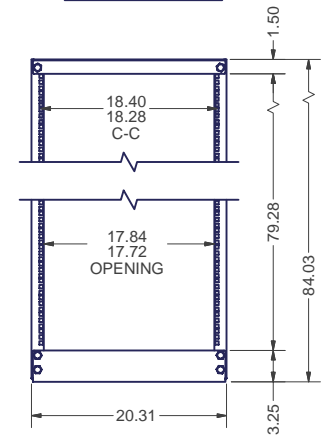
TOE IN MOUNTING  
ISOMETRIC VIEW



TOE OUT MOUNTING  
TOP VIEW



TOE IN MOUNTING  
TOP VIEW



FRONT VIEW - 19" EIA MTG.

# Assemble•it™ Instructions

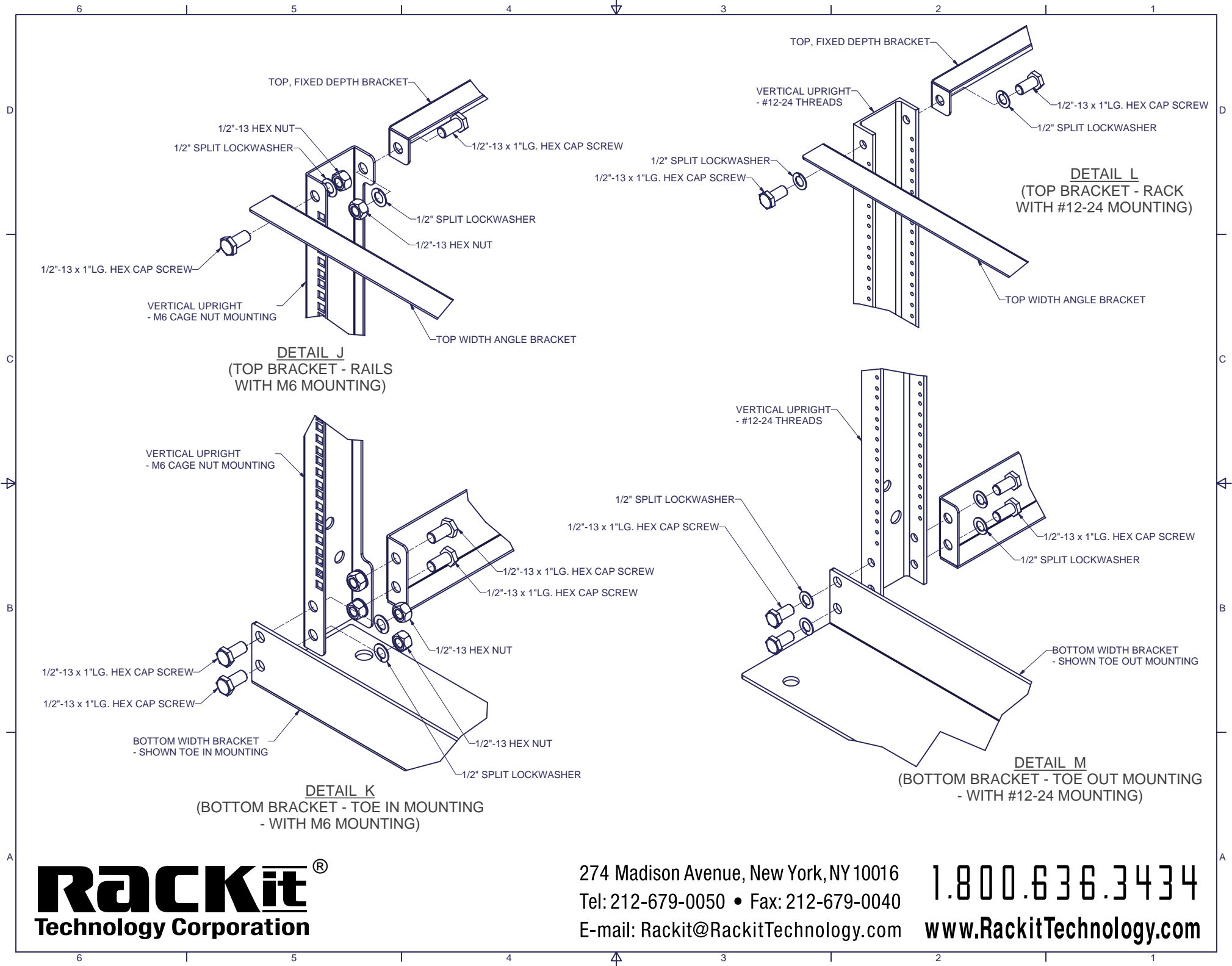
## SERVIT™ 6xx and 12xx

### TOOLS & INSTRUCTION:

TOOLS: 3/4" & 7/16" SOCKETS & 3/4" WRENCH.

- 1) ASSEMBLE BOTTOM & TOP WIDTH BRACKETS TO UPRIGHTS. DO NOT TIGHTEN.
- 2) ASSEMBLE TOP, FIXED DEPTH BRACKETS TO UPRIGHTS, STAND ASSEMBLY UP, BE SURE TO MAKE SQUARE & TIGHTEN.
- 3) SECURE TO FLOOR. FLOOR MOUNTING HARDWARE NOT PROVIDED. INSTALLER TO DETERMINE PER FLOOR TYPE.

**RACKit**®  
Technology Corporation



**DETAIL J**  
 (TOP BRACKET - RAILS  
 WITH M6 MOUNTING)

**DETAIL K**  
 (BOTTOM BRACKET - TOE IN MOUNTING  
 - WITH M6 MOUNTING)

**DETAIL L**  
 (TOP BRACKET - RACK  
 WITH #12-24 MOUNTING)

**DETAIL M**  
 (BOTTOM BRACKET - TOE OUT MOUNTING  
 - WITH #12-24 MOUNTING)

**Rackit**<sup>®</sup>  
 Technology Corporation

274 Madison Avenue, New York, NY 10016  
 Tel: 212-679-0050 • Fax: 212-679-0040  
 E-mail: Rackit@RackitTechnology.com

1.800.636.3434  
 www.RackitTechnology.com