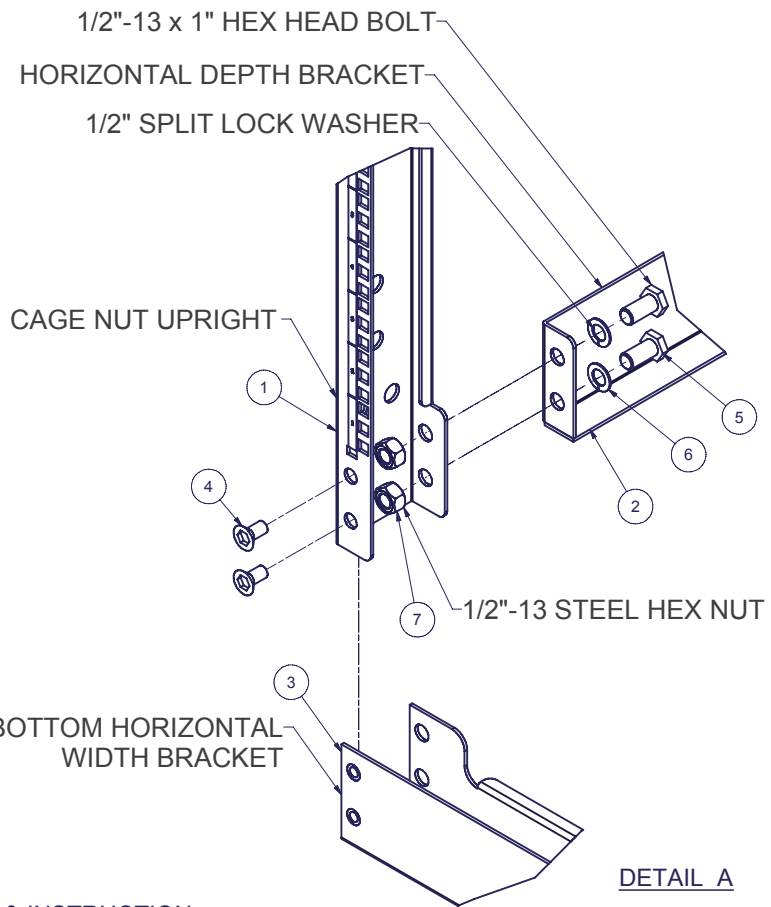
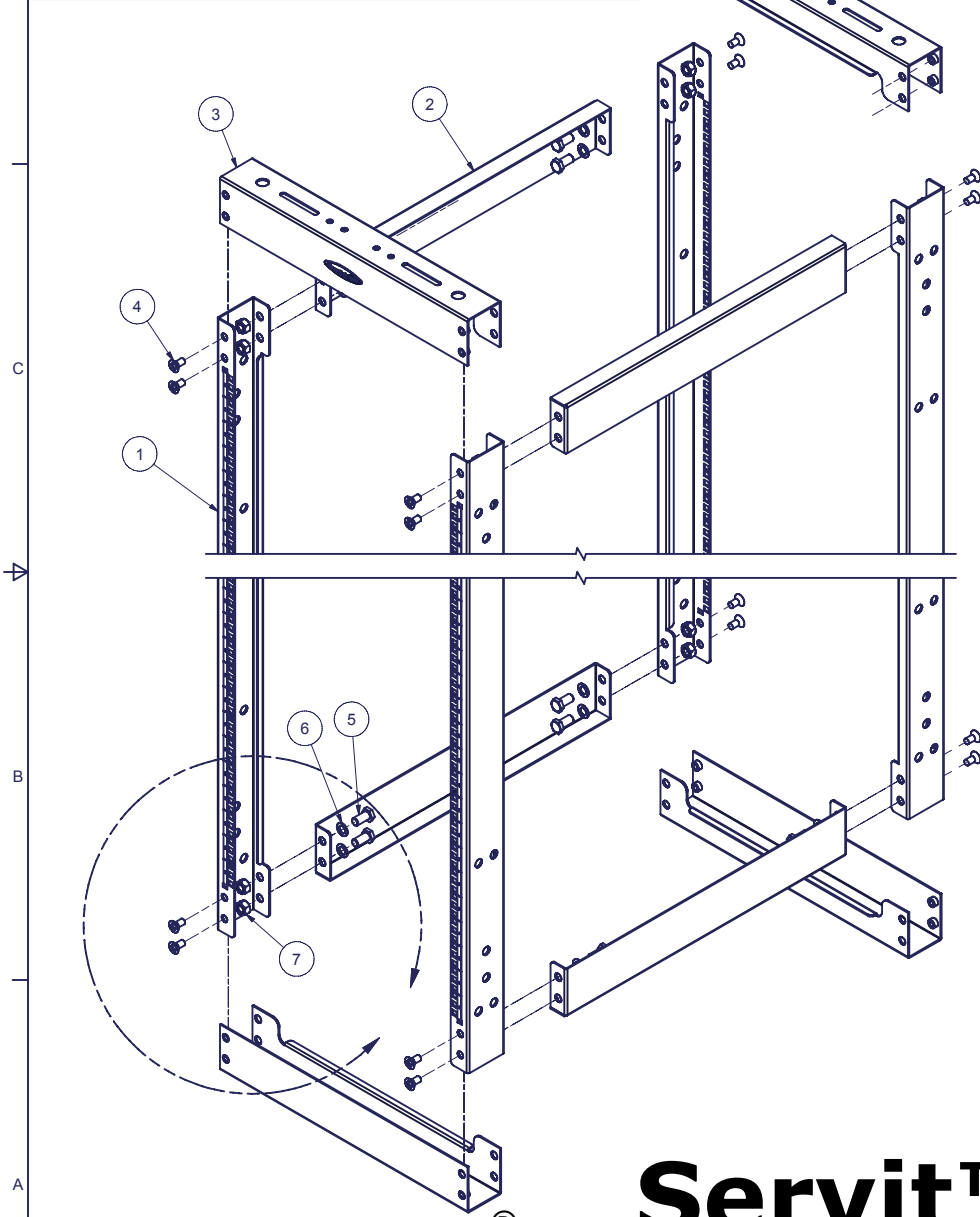


Bill of Material		
ITEM	QTY	DESCRIPTION
1	4	42 RU UNIVERSAL CAGE NUT UPRIGHT
2	4	29"D HORIZONTAL DEPTH BRACKET
3	4	TOP/BOTTOM HORIZONTAL WIDTH BRACKET
4	16	3/8-16 x 3/4" LONG FLAT HEAD SCREW - HEX DRIVE
5	16	BOLT, 1/2"-13 x 1" HEX HD, BLACK
6	16	1/2" SPLIT LOCKWASHER BLACK OXIDE/WAX RoHS
7	16	1/2-13 FINISHED HEX NUT BLACK OXIDE/WAX RoHS



TOOLS & INSTRUCTION:

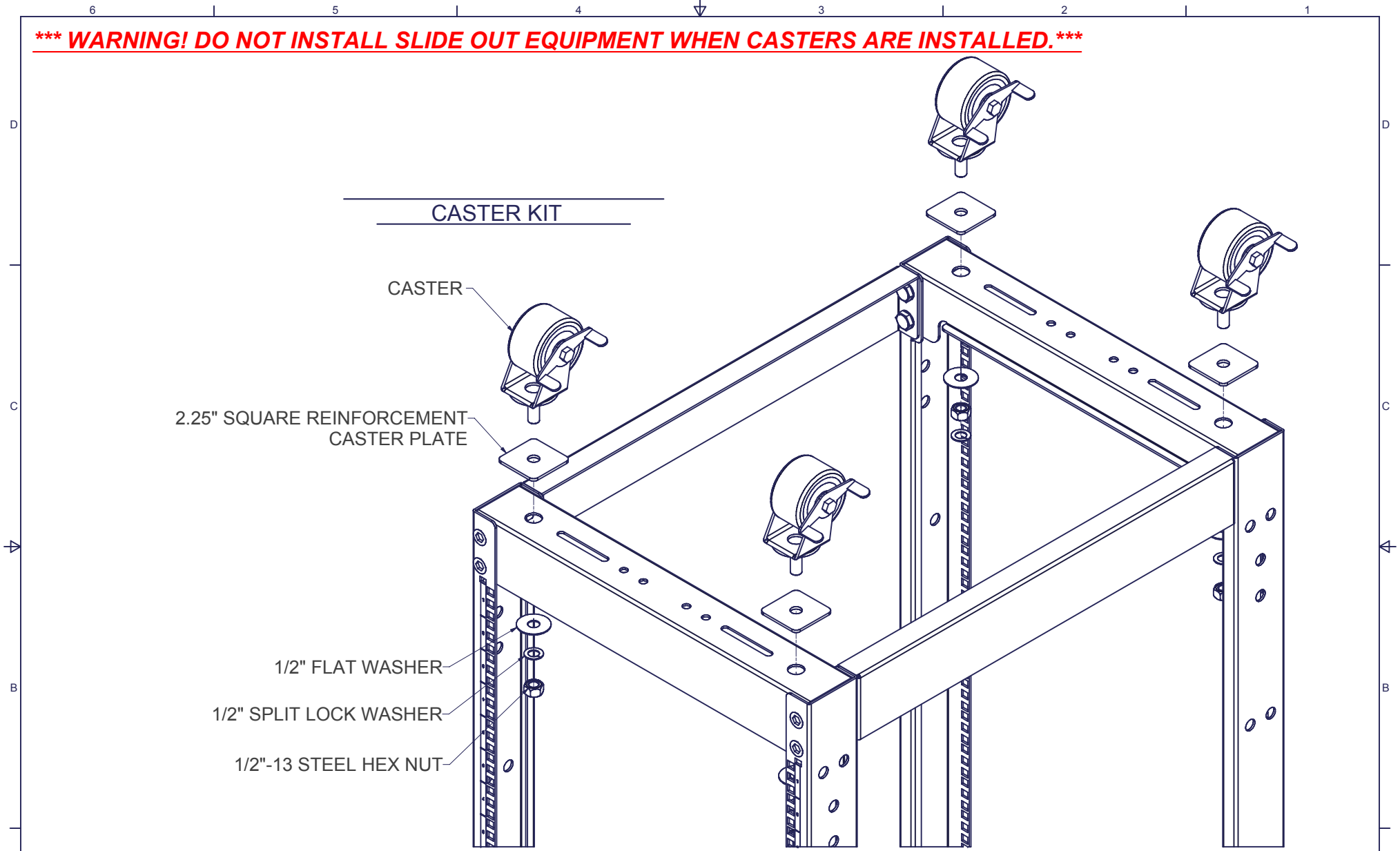
TOOLS: 3/4" SOCKET, 3/4" WRENCH & 7/32" HEX DRIVE

- 1) ASSEMBLE TOP & BOTTOM WIDTH BRACKETS TO UPRIGHTS (PLACE THE BRACKETS WITH THE RACKIT LABEL ON THE TOP). ALIGN THE UPRIGHTS SO THAT THE #1 ON THE RU LABELS IS TOWARDS THE BOTTOM. DO NOT TIGHTEN.
- 2) ASSEMBLE THE TOP HORIZONTAL DEPTH BRACKETS TO UPRIGHTS. STAND ASSEMBLY UP. ASSEMBLE BOTTOM HORIZONTAL DEPTH BRACKETS TO UPRIGHTS. BE SURE TO MAKE SQUARE & TIGHTEN.
- 3) SECURE TO FLOOR OR INSTALL OPTIONAL CASTER KIT (FLOOR MOUNTING HARDWARE NOTE PROVIDED). INSTALLER TO DETERMINE FLOOR TYPE.

Rackit[®]
Technology Corporation

Servit™ CX Assemble•it™
Instructions

***** WARNING! DO NOT INSTALL SLIDE OUT EQUIPMENT WHEN CASTERS ARE INSTALLED.*****



CASTER KIT

CASTER

2.25" SQUARE REINFORCEMENT
CASTER PLATE

1/2" FLAT WASHER

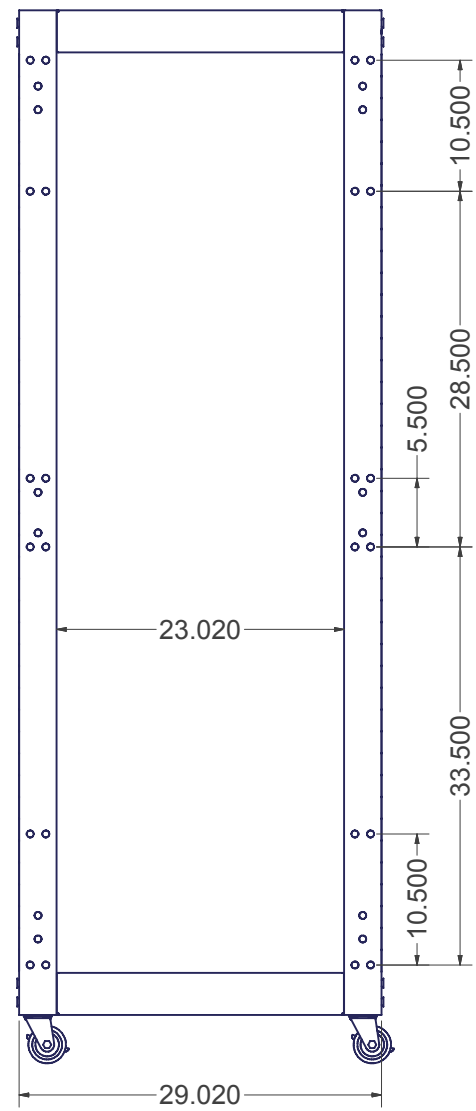
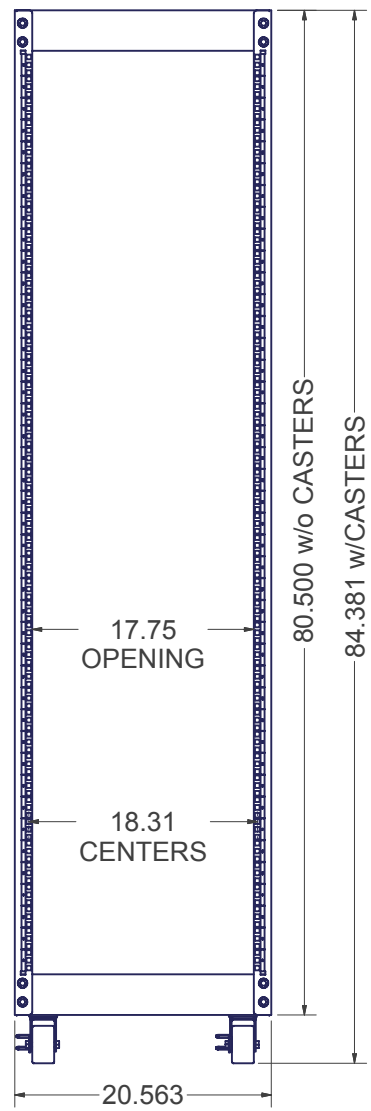
1/2" SPLIT LOCK WASHER

1/2"-13 STEEL HEX NUT

Rackit[®]
Technology Corporation

Servit™ CX Assemble•it™
Instructions

D
C
B
A



D
C
B
A

RACKit®
Technology Corporation

Servit™ CX Assemble•it™
Instructions

6 5 4 3 2 1