

INSTALLATION INSTRUCTIONS

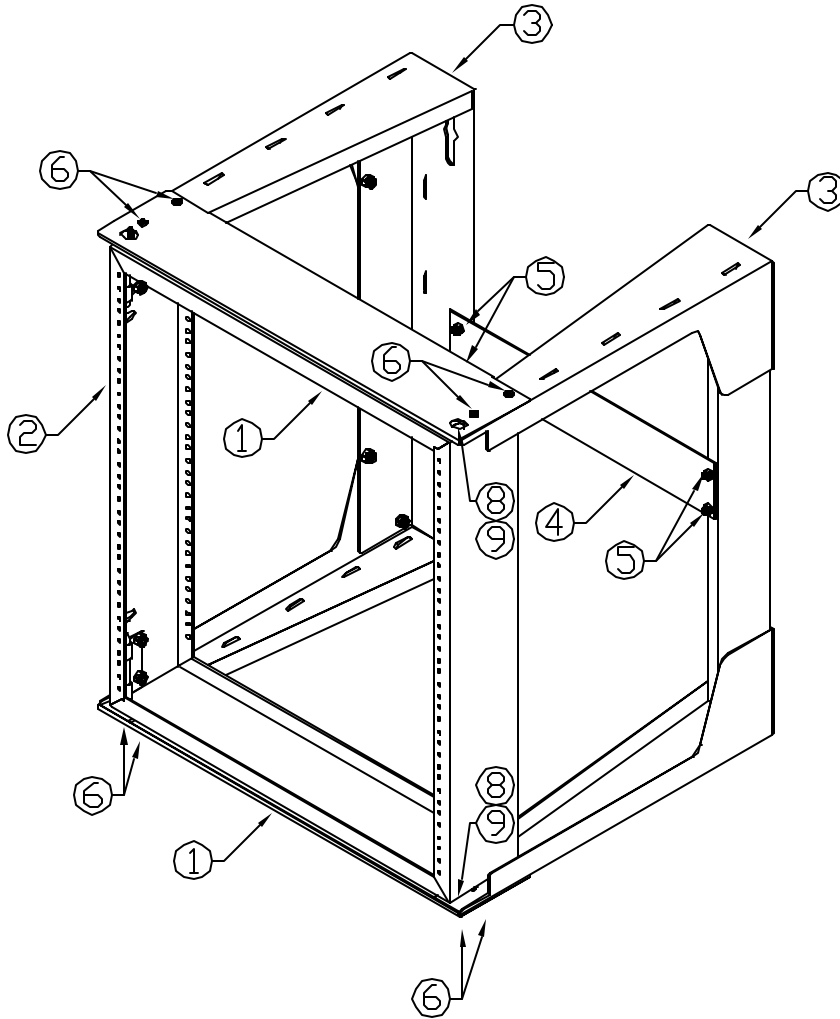
19" EIA WALL MOUNT SWING RACKS

THE FOLLOWING TOOLS ARE REQUIRED FOR INSTALLATION:

- 3/8" NUT DRIVER
- PHILLIPS SCREW DRIVER

CONSISTS OF THE FOLLOWING PARTS:

ITEM NO.	PART NO.	QTY.	DESCRIPTION
1	-	2	TOP & BOTTOM BRACE
2	-	1	SWING FRAME ASSY
3	-	2	SIDE BRACE ASSY
4	-	1	REAR BRACE PANEL
5	0501032LCNBLK	4	#10-32 ACORN NUT, BLACK, SELF-LOCKING
6	SCR1032X1/4BLK23	8	#10-32 X 1/4"L PHIL PAN HD SCREW, TYPE 23, BLACK
8	1/4-20X3/4SSSC	2	1/4-20X3/4"L PHIL 82° FLAT HEAD SCREW W/ NYLON LOCKING PELLET
9	13SP212B	2	BLACK NYLON SPACER (0.50 OD, 0.26 ID, 0.187 TH)



INSTALLATION INSTRUCTIONS

19" EIA WALL MOUNT SWING RACKS

GENERAL INFORMATION:

The 24" High Swing Rack has 12 Units (21") of vertical mounting space.
 The 36" High Swing Rack has 19 Units (33.25") of vertical mounting space.
 The 48" High Swing Rack has 26 Units (45.50") of vertical mounting space.

The 24 and 36 frames are made of 14 Ga. steel. The 48 frame is made made of 12 Ga. steel. All frames are 4" deep with mounting front and rear. All mounting holes are Tapped #12-24.

Mounts to most wall types with 5/16" hardware (hardware not included)

OVERALL DIMENSIONS

24": 24.512"H x 20.562"W x 18"D

36": 36.763"H x 20.562"W x 18"D

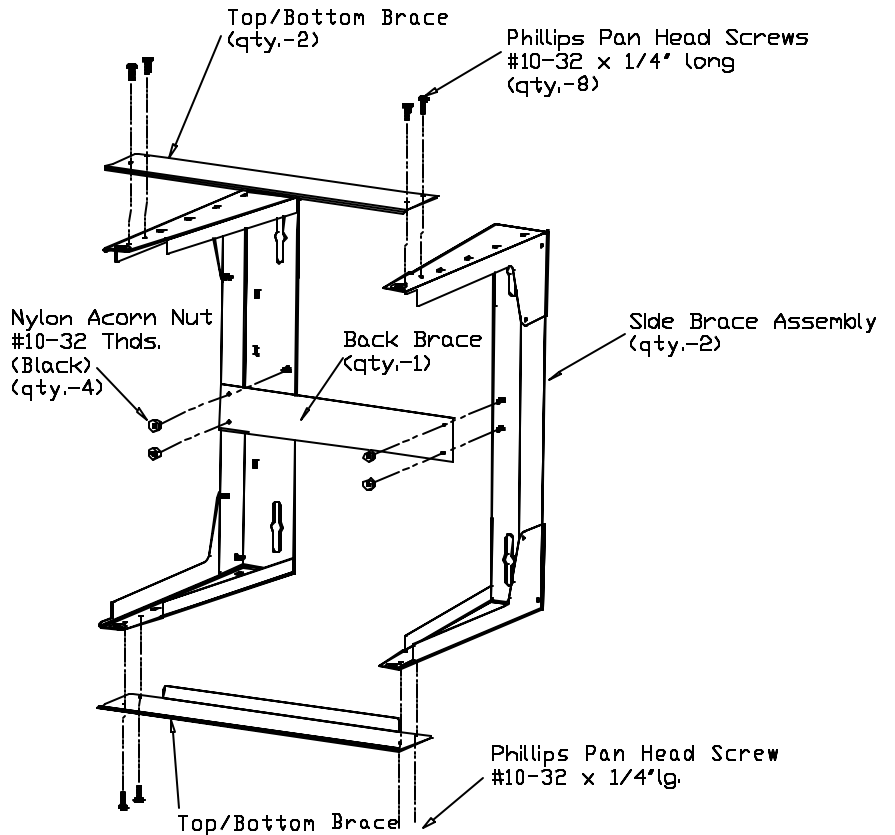
48": 48.763"H x 20.562"W x 18"D

ALL SWING RACKS HAVE A 100LB EQUIPMENT WEIGHT CAPACITY.

STEP -1:

Place the Back Brace onto the four threaded studs on the two Side Brace Assemblies. Secure with four #10-32 Nylon Acorn Nuts. Tighten with 3/8" nut driver.

Install the Top/Bottom Braces to the outside of the two Side Brace Assemblies with eight #10-32 x 1/4" Phillips Pan Hd. screws. The large formed edge of the Top/Bottom Braces mount towards the rear and the inside of the swing rack.



REV.

2

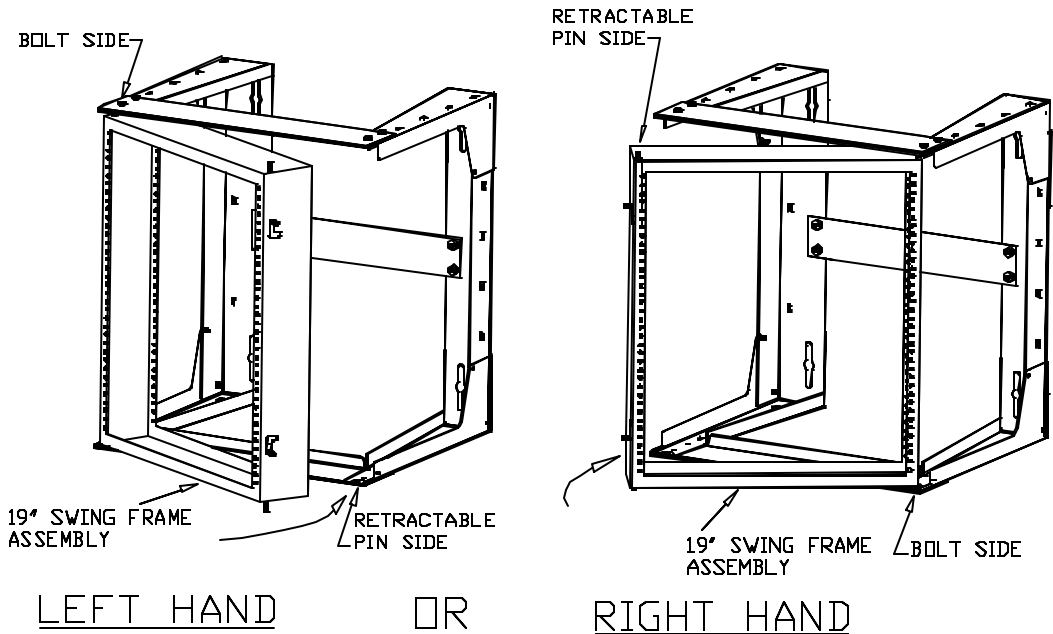
SHEET:

2 OF 4

INSTALLATION INSTRUCTIONS 19" EIA WALL MOUNT SWING RACKS

UNIVERSAL:

The 19" EIA Swing Frame Rack can be hinged (retractable pin) on either side. Customer needs to determine which side is to open. To open, simply retract both pins (top and bottom) and then open the Swing Frame Rack similar to that of a door.

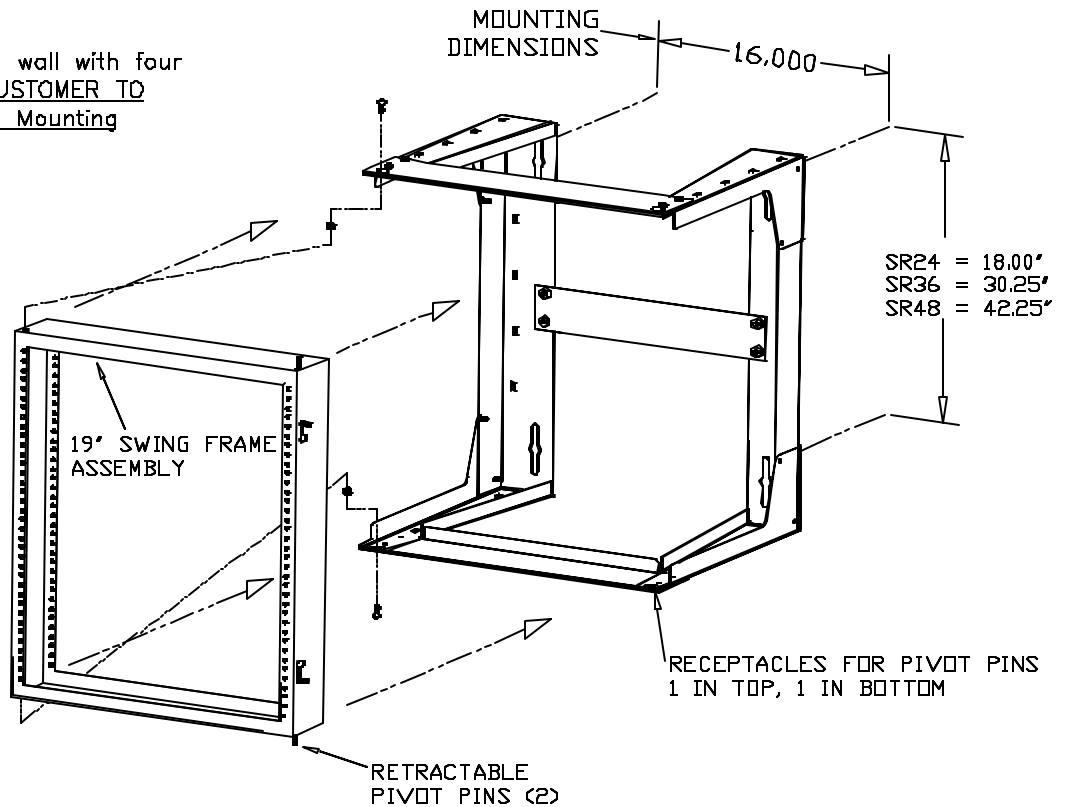


STEP -2:

Mount the rear assembly to the wall with four lag screws (NOT PROVIDED - CUSTOMER TO DETERMINE FOR TYPE OF WALL). Mounting locations are as shown.

Install the 19" EIA Swing Frame by retracting both pins. The pins can be locked out for ease of assembly by retracting the outside pin handle and rotating the pin into the slot provided. The retractable pins are to be near the front of the Swing Frame when installing.

Once the lower pin is in place align the top pin to the top receptacle and release pin. Place 1/4-20 Screw through hole in bottom (opposite pin hinge). Assemble spacer on exposed threads on inside of swing rack and close Swing Frame. Tighten screw by screwing into perm nut in Swing Frame. Repeat screw/spacer assembly for top.



LEFT HAND ASSEMBLY SHOWN

REV.
2

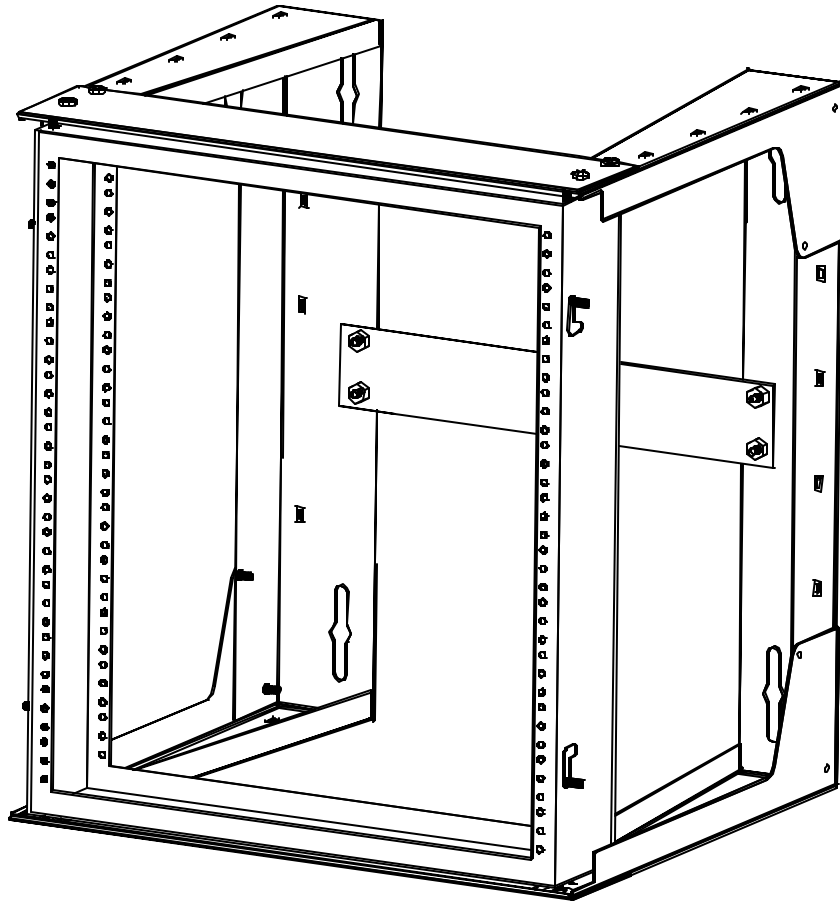
SHEET:
3 OF 4

INSTALLATION INSTRUCTIONS

19" EIA WALL MOUNT SWING RACKS

CAUTION:

When installing 19"EIA equipment make sure both retractable pins (2) are secured into the rear section that has been mounted to the wall. Be sure all screws, nuts and mounting hardware are tightened before loading with equipment.



CLOSED POSITION

SECURE RETRACTABLE PINS
INTO RECEPTACLES
(2 PLACES)

REV.
2

SHEET:
4 OF 4