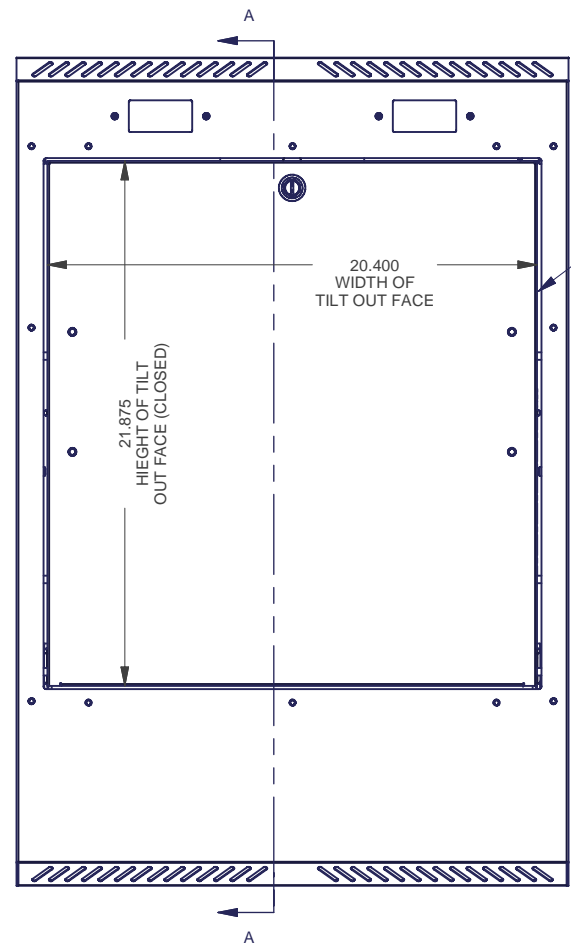
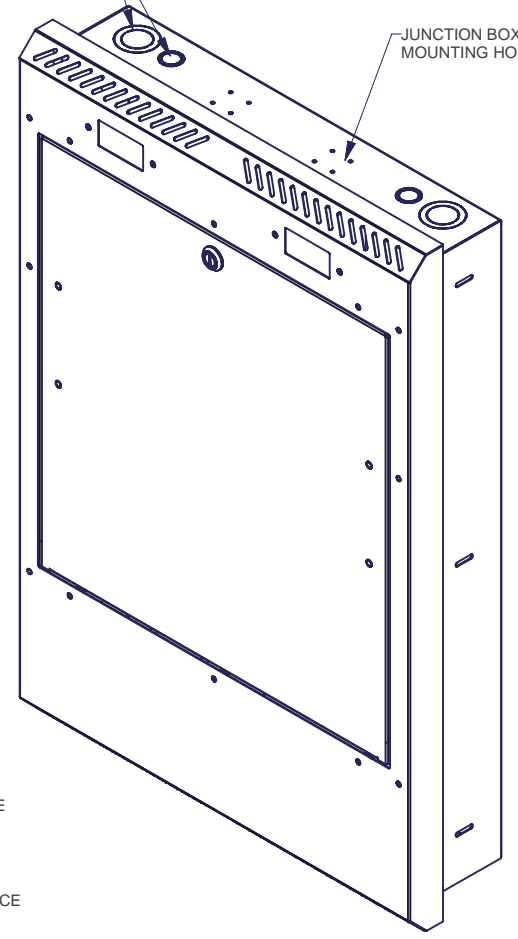
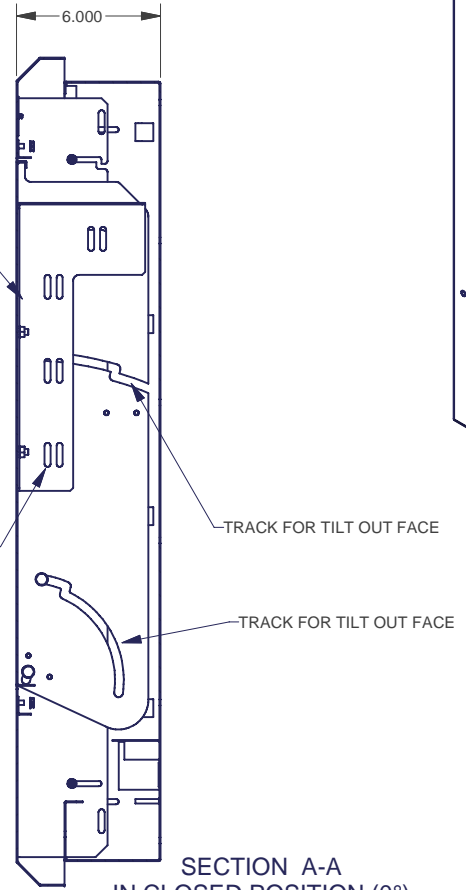


ROUND KNOCKOUTS FOR CABLE MANAGEMENT (BOTH SIDES)

JUNCTION BOX MOUNTING HOLES



TILT OUT FACE



SECTION A-A
IN CLOSED POSITION (0°)

TILT OUT FACE IN LOCKED POSITION

INTERPRET DRAWING PER ASME Y14.5M-1994
DIMENSIONAL LIMITS APPLY AFTER APPLICATION OF FINISH
DRAWING NOT TO SCALE
TOLERANCE UNLESS OTHERWISE NOTED:
ANGULAR +/- 1'
.XXXX +/- .010
.XXX +/- .015
.XX +/- .030
.X FOR REF. ONLY
UNLESS OTHERWISE SPECIFIED ALL DIMENSIONS ARE IN INCHES

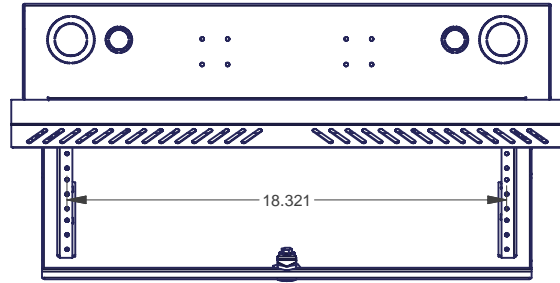
NOTICE:
Use of this document is subject to a confidentiality and nondisclosure agreement with Rackit Technology Corporation (Rackit) and may not be reproduced, disclosed or utilized in whole or in part without prior written authorization from Rackit.

PART NUMBER: RCT-WLTBXTLT-R	
QTY PER UNIT:	1
MATERIAL TYPE:	-
MATERIAL GAUGE:	-
FINISH:	-
DRAWN ShawnB	DATE 6/12/2007
CHECKED & APP. WSS	DATE 5/15/08

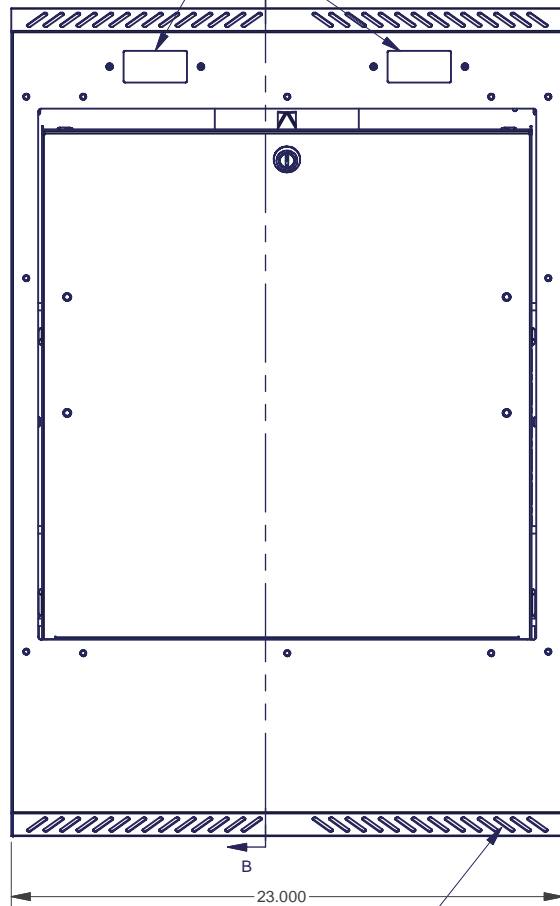
TITLE Wallit BoxTilt, Recessed	
Rackit Technology Corporation 271 Madison Avenue, New York, NY 10016 PHONE (212) 679-0050 FAX (212) 679-0040 E-MAIL support@rackittechnology.com	
DWG NO: 1005649	REV 4
SHEET: 1 OF 4	



TILT OUT FACE IN OPERATION POSITION

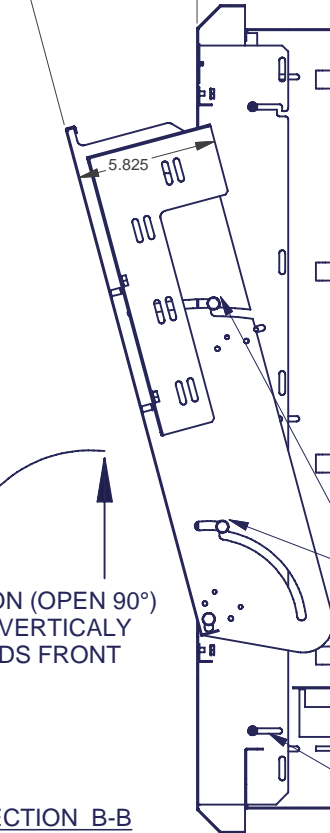


CUT OUT FOR DECORA PLUG IN (2 TOTAL)



VENTED ON TOP AND BOTTOM FOR HOT AIR RELEASE

15° STOP FOR OPERATION (SHOWN)



NOTCH IN TRACK TO LOCK AT 15°

OBLONGS FOR ADJUSTABLE HINGED FACE DEPTH

FOR SERVICE POSITION (OPEN 90°)
LIFT TILT OUT FACE VERTICALLY
AND DROP TOWARDS FRONT

SECTION B-B
SIDE VIEW FROM
INSIDE CABINET

INTERPRET DRAWING PER ASME Y14.5M-1994
DIMENSIONAL LIMITS APPLY
AFTER APPLICATION OF FINISH
DRAWING NOT TO SCALE
TOLERANCE UNLESS OTHERWISE NOTED:
ANGULAR +/- 1°
.XXXX +/- .010
.XXX +/- .015
.XX +/- .030
.X FOR REF. ONLY

UNLESS OTHERWISE SPECIFIED
ALL DIMENSIONS ARE IN INCHES

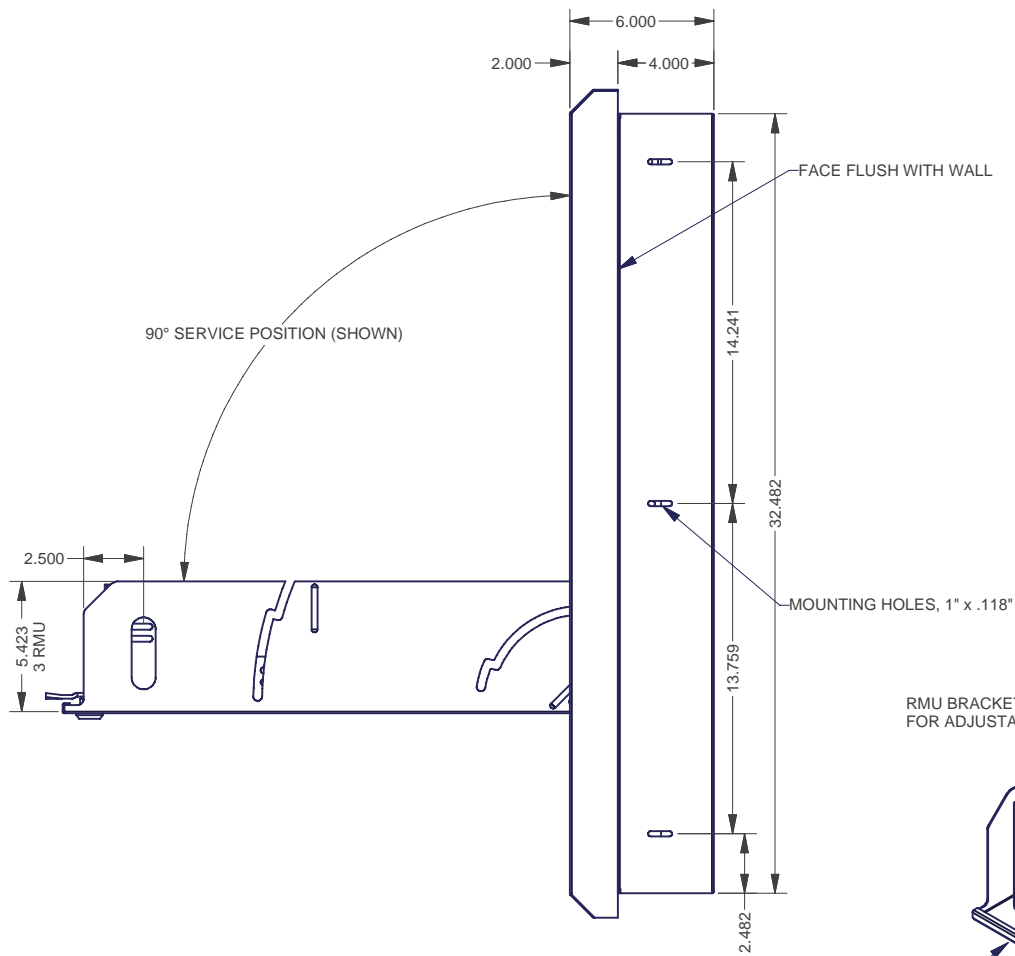
NOTICE:

Use of this document is subject to a confidentiality and nondisclosure agreement with Rackit Technology Corporation (Rackit) and may not be reproduced, disclosed or utilized in whole or in part without prior written authorization from Rackit.

PART NUMBER:
RCT-WLTBXTLT-R
QTY PER UNIT: 1
MATERIAL TYPE:
MATERIAL GAUGE:
FINISH:
DRAWN: ShawnB DATE: 6/12/2007
CHECKED & APP. WSS DATE: 5/15/08

TITLE Wallit BoxTilt, Recessed	
Rackit Technology Corporation 271 Madison Avenue, New York, NY 10016 PHONE (212) 679-0050 FAX (212) 679-0040 E-MAIL support@rackittechnology.com	
DWG NO: 1005649	REV 4
SHEET: 2 OF 4	





90° SERVICE POSITION (SHOWN)

FACE FLUSH WITH WALL

MOUNTING HOLES, 1" x .118"

RMU BRACKETS ON TRACK FOR ADJUSTABLE DEPTH

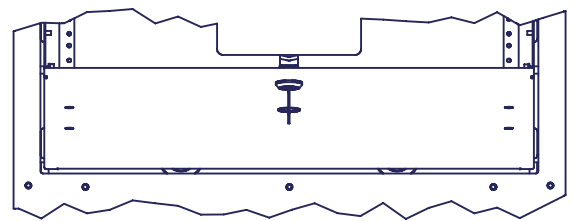
4.890 ADJUSTABLE DEPTH FOR EQUIPMENT FACES

19.860 MAXIMUM EQUIPMENT DEPTH

HAND HOLES FOR ADJUSTMENT

DETAIL C

TILT OUT FACE IN SERVICE POSITION



DETAIL C
TOP VIEW OF TILT OUT FACE
3 RMU

INTERPRET DRAWING PER ASME Y14.5M-1994
DIMENSIONAL LIMITS APPLY AFTER APPLICATION OF FINISH
DRAWING NOT TO SCALE
TOLERANCE UNLESS OTHERWISE NOTED:
ANGULAR +/- 1°
.XXXX +/- .010
.XXX +/- .015
.XX +/- .030
.X FOR REF. ONLY
UNLESS OTHERWISE SPECIFIED ALL DIMENSIONS ARE IN INCHES

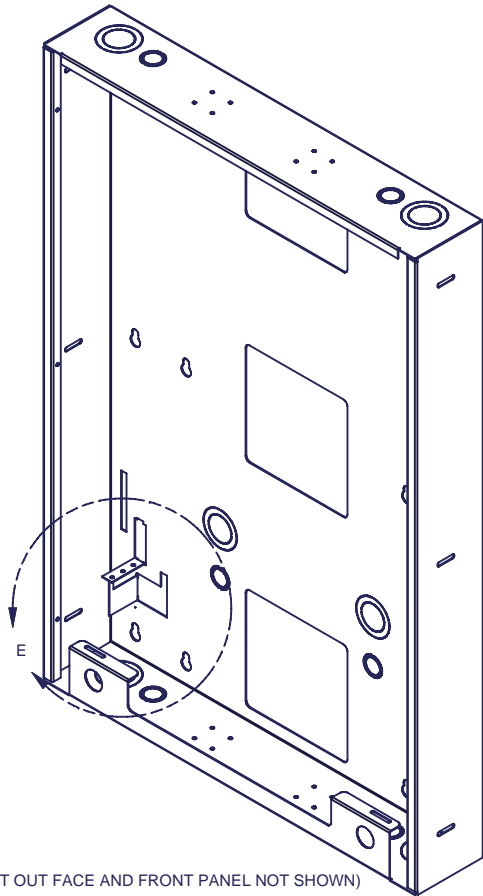
NOTICE:
Use of this document is subject to a confidentiality and nondisclosure agreement with Rackit Technology Corporation (Rackit) and may not be reproduced, disclosed or utilized in whole or in part without prior written authorization from Rackit.

PART NUMBER:	RCT-WLTBXTLT-R
QTY PER UNIT:	1
MATERIAL TYPE:	-
MATERIAL GAUGE:	-
FINISH:	-
DRAWN	DATE
ShawnB	6/12/2007
CHECKED & APP.	DATE
WSS	5/15/08

TITLE		Wallit BoxTilt, Recessed	
Rackit Technology Corporation 271 Madison Avenue, New York, NY 10016 PHONE (212) 679-0050 FAX (212) 679-0040 E-MAIL support@rackittechnology.com			
DWG NO:	REV	SHEET: 3 OF 4	
1005649	4		

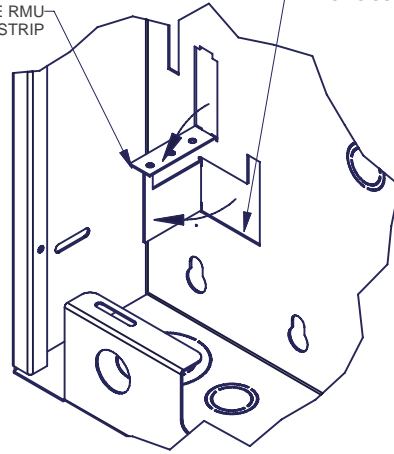


THIRD ANGLE PROJECTION

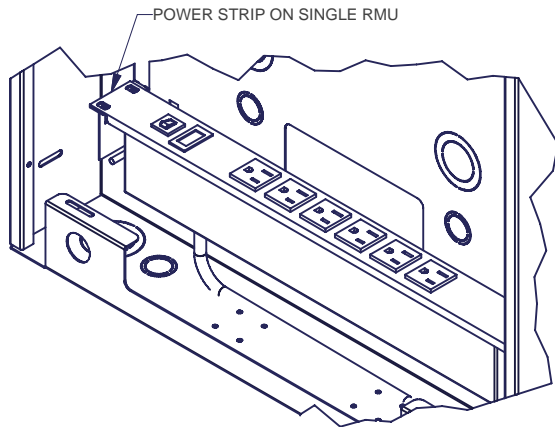


(TILT OUT FACE AND FRONT PANEL NOT SHOWN)

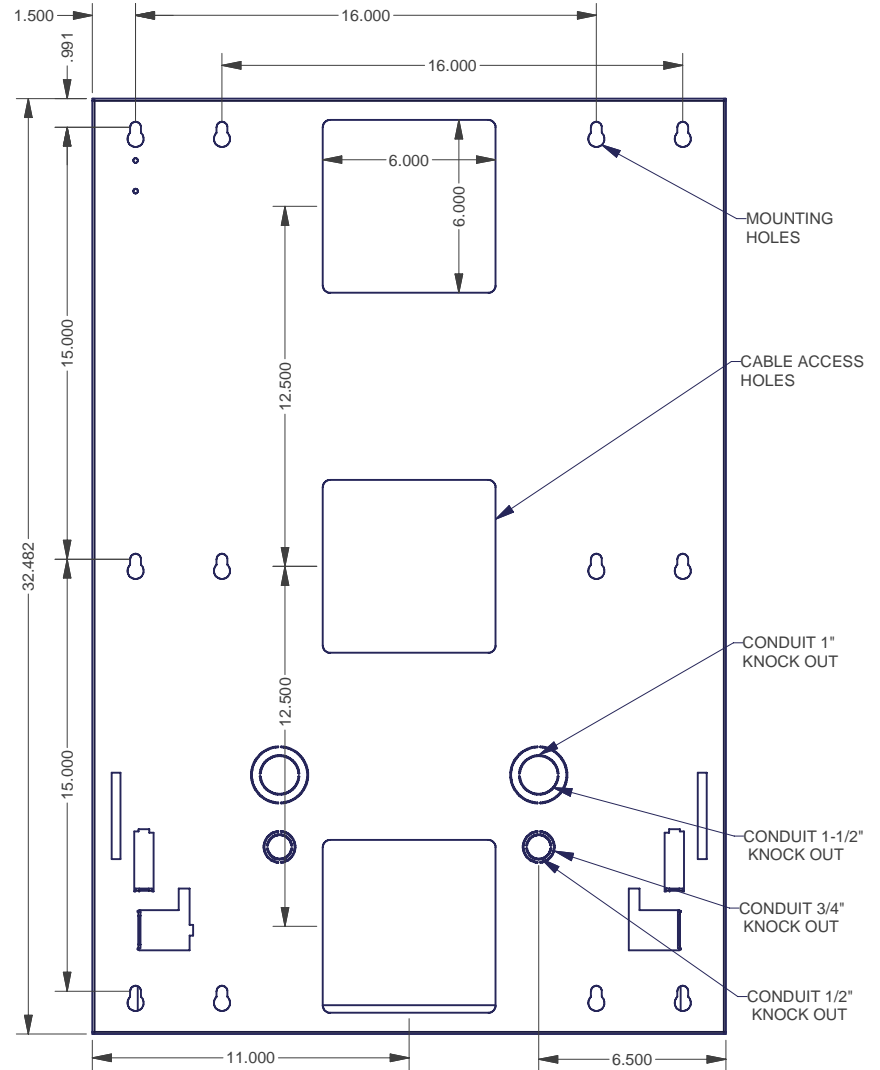
1 SPARE RMU FOR POWER STRIP
 USE SCREWDRIVER TO BEND TABS AS SUCH FOR POWER STRIP



1 SPARE RMU WITH POWER STRIP
 (TILT OUT FACE AND FRONT PANEL NOT SHOWN)



1 SPARE RMU WITH POWER STRIP
 (TILT OUT FACE AND FRONT PANEL NOT SHOWN)



INTERPRET DRAWING PER ASME Y14.5M-1994
 DIMENSIONAL LIMITS APPLY
 AFTER APPLICATION OF FINISH
 DRAWING NOT TO SCALE
 TOLERANCE UNLESS OTHERWISE NOTED:
 ANGULAR +/- 1'
 .XXXX +/- .010
 .XXX +/- .015
 .XX +/- .030
 .X FOR REF. ONLY



THIRD ANGLE
 PROJECTION

UNLESS OTHERWISE SPECIFIED
 ALL DIMENSIONS ARE IN INCHES

NOTICE:

Use of this document is subject to a confidentiality and nondisclosure agreement with Rackit Technology Corporation (Rackit) and may not be reproduced, disclosed or utilized in whole or in part without prior written authorization from Rackit.

PART NUMBER:
RCT-WLTBXTLT-R

QTY PER UNIT: 1
 MATERIAL TYPE: -
 MATERIAL GAUGE: -
 FINISH: -
 DRAWN: ShawnB DATE: 6/22/2007
 CHECKED & APP. DATE: WSS 5/15/08

TITLE
Wallit BoxTilt, Recessed

Rackit Technology Corporation
 271 Madison Avenue, New York NY 10016
 PHONE (212) 679-0050 FAX (212) 679-0040
 E-MAIL support@rackittechnology.com

DWG NO:
1005670

REV
2

SHEET: 4 OF 4