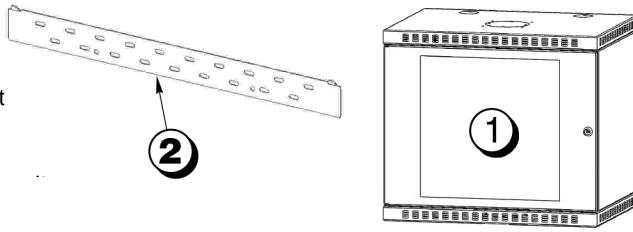


Assemble•it™ Instructions

Wallit SH

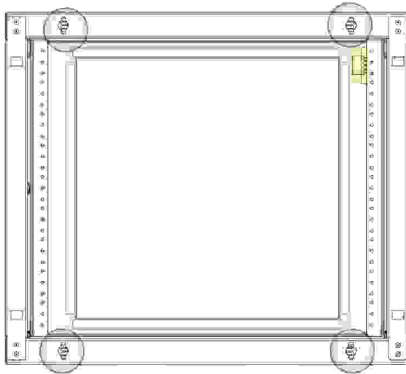
Parts List

- 1 Cabinet
- 2 Hanging bracket



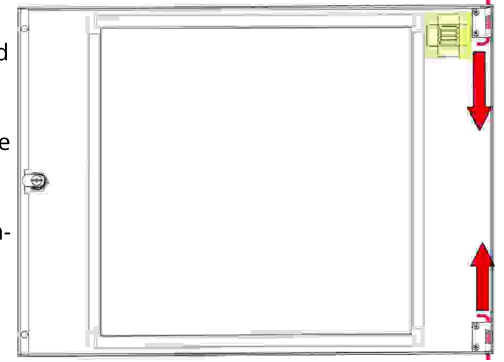
Hanging the cabinet on the wall

The cabinet must be hung using the appropriate wall mount anchors or fasteners for your wall material. Each cabinet contains four key-hole mounting holes, which are utilized to secure the cabinet to the wall.



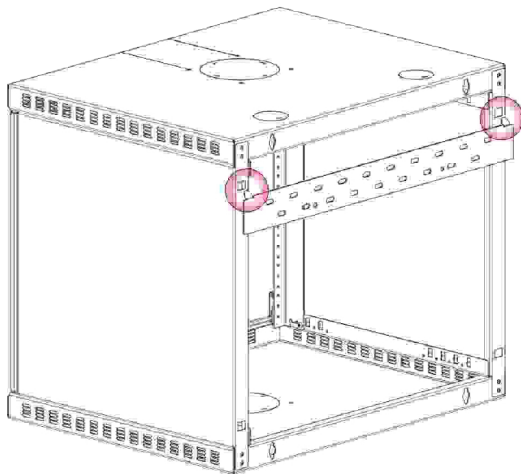
Removing the door

To remove the door, pull the spring loaded hinges to release the door. The door can be reversed and mounted the opposite orientation.



Using the hanging bracket

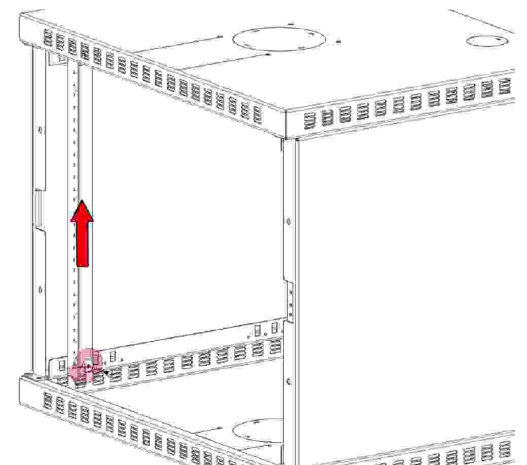
Use the hanging bracket to assist mounting the cabinet to the wall. The hanging bracket can be mounted to the wall prior to fastening down through the key-holes.



After securing the hanging bracket to the wall, lift the cabinet and hang it on the two points going through the square clearance holes on the back of the cabinet.

Moving the rails

To move the rails, use a Philips head screw driver to remove the sheet metal screw on each rail. Lift the rail up and pull toward you to remove the rail. Find your desired mounting depth before dropping your rail into place.



The sheet metal screw can be discarded. The screw is used to secure rail during shipping.