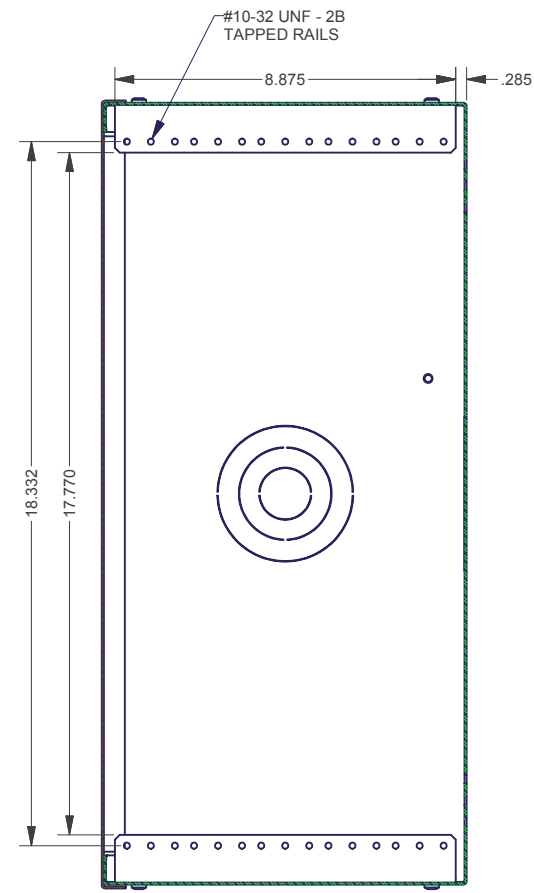
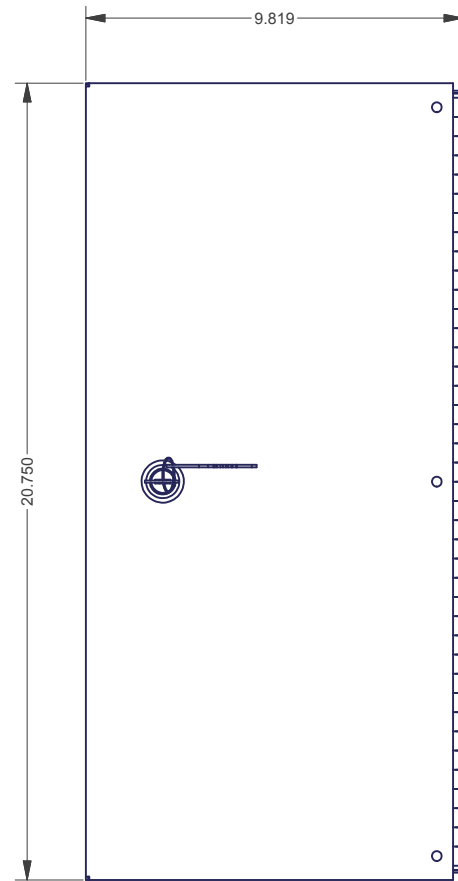
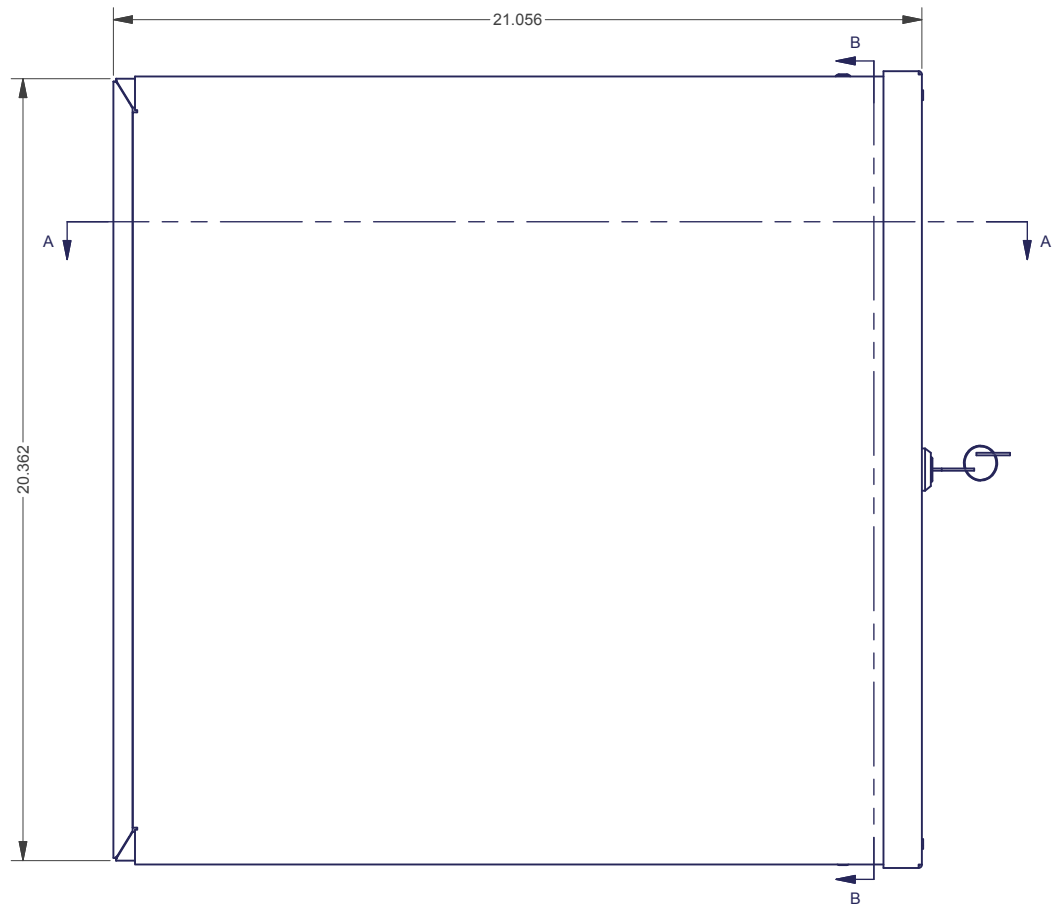
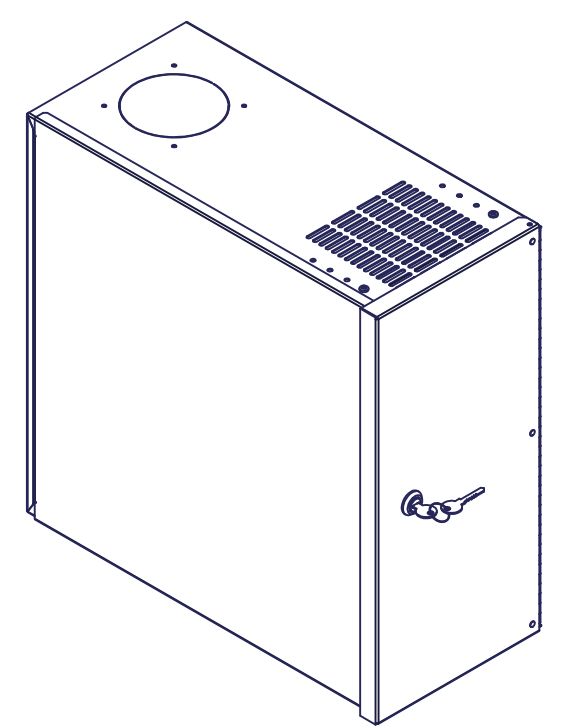
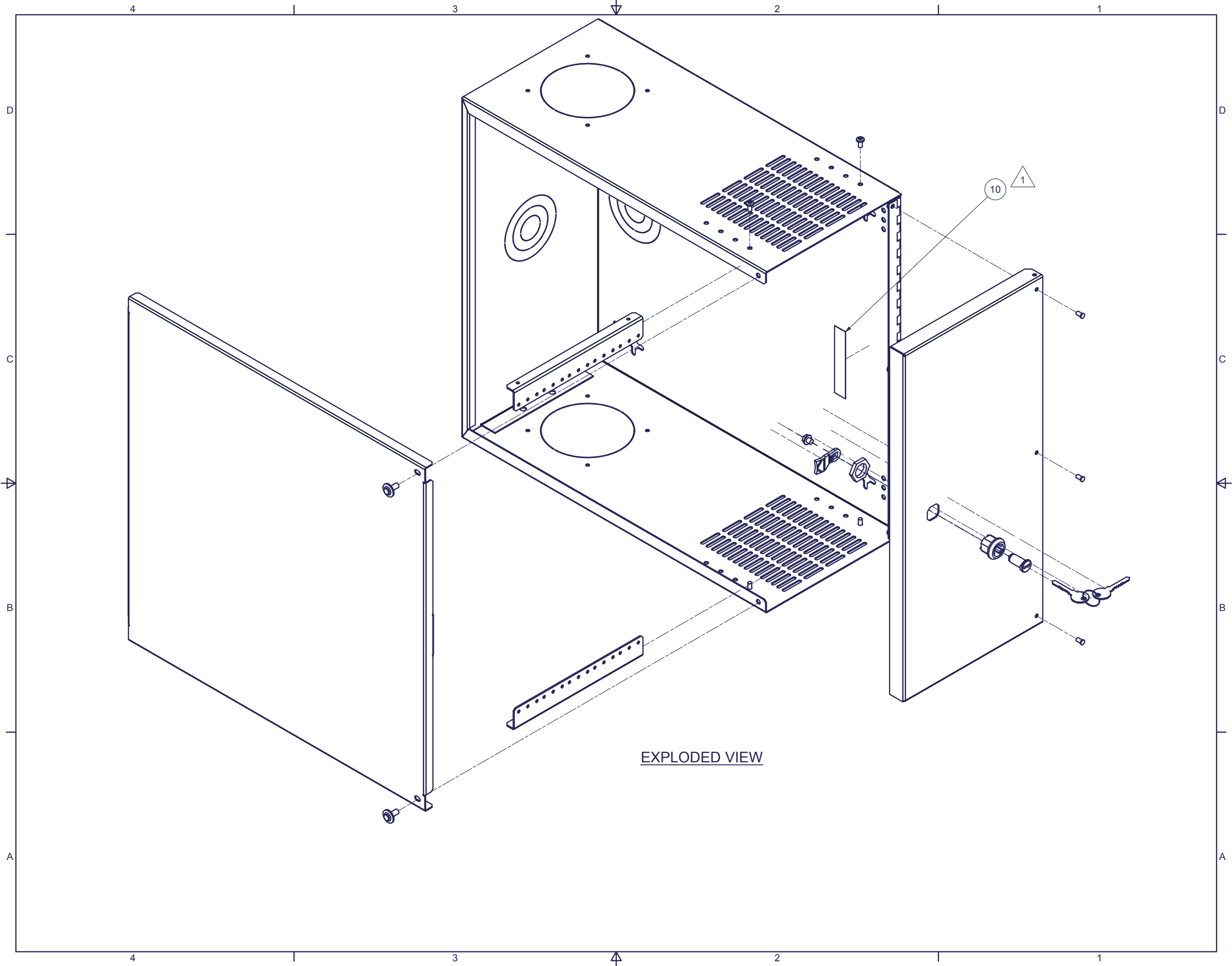


SECTION A-A



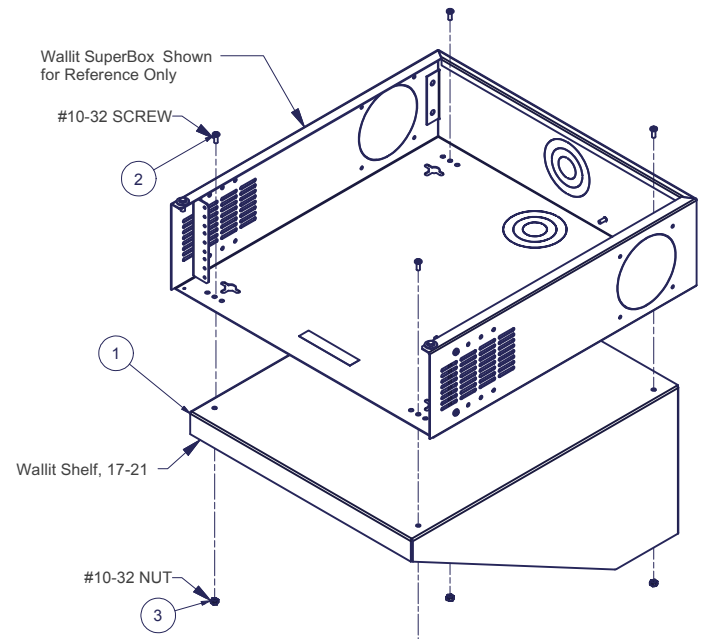
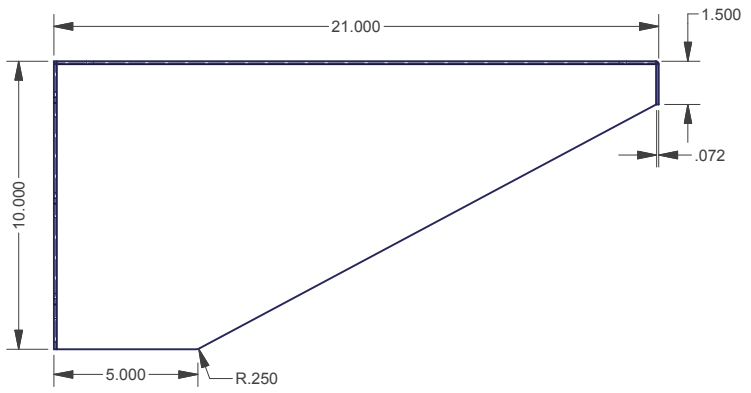
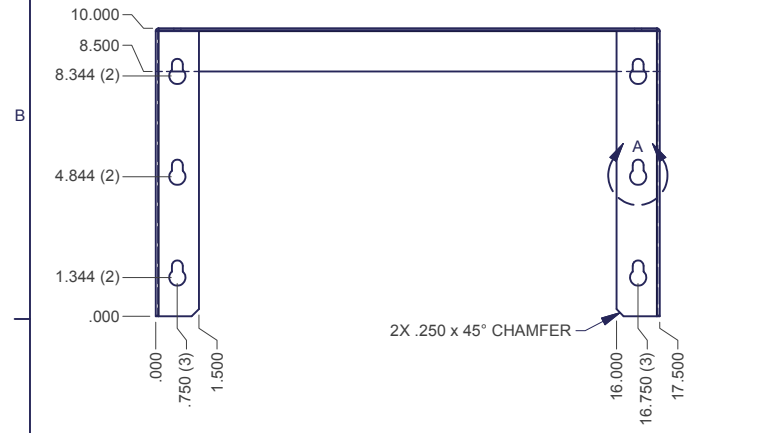
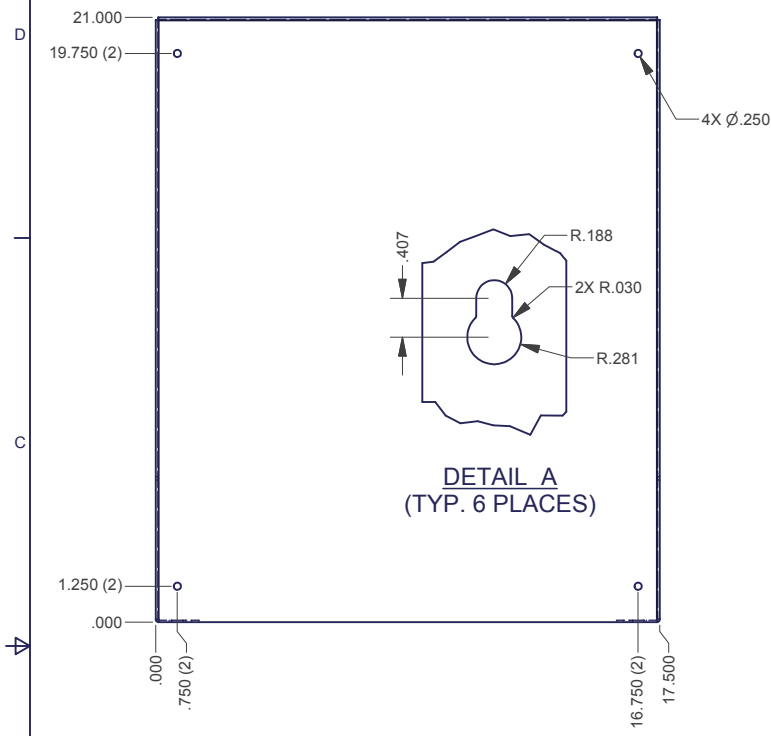
SECTION B-B





EXPLODED VIEW

Bill of Material					
ITEM	PART NUMBER	QTY	DESCRIPTION	FILE NAME	REVISION
1		1	Wallit Shelf, 17-21		
2		4	SCREW, 10-32x1/2" PH PAN TYPE 23 ZINC CLEAR RoHS		
3		4	10-32 ELASTIC STOP NUT, 2ZN3687		



Wallit SuperBox:

- #14 GA. C.R.S. EQUIPMENT MOUNTING RAILS (1 PAIR)
- #16 GA. C.R.S. VENTED ENCLOSURE
- #16 GA. C.R.S. BOTTOM OR SIDE COVER
- #16 GA. C.R.S. HINGED LOCKING DOOR FOR SECURITY
- DURABLE TEXTURE POWDER COAT

